

## Finished Area Floor Drains

### FD-100-RS Floor Drain with Rectangular Strainer



Model Number	Weight (lbs.)	Str. Size	Outlet Size	Strainer	List Price
FD-102, 3, 4-RS48	12	4"x8"	2, 3, 4"	nickel bronze	1,055.50
FD-102, 3, 4-RS412	14	4"x12"	2, 3, 4"	nickel bronze	1,275.00
FD-102, 3, 4-RS517	24	5"x17"	2, 3, 4"	nickel bronze	1,524.00

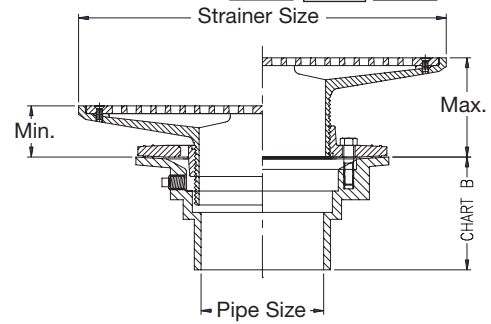


Chart A		
Strainer	Min.	Max.
4"x8"	1 1/2"	3 3/4"
4"x12"	1 1/2"	3 3/4"
5"x17"	2"	4 3/8"

Chart B					
Pipe Size	No Hub	Push On	Female Thread	Inside Caulk	PVC/ABS
2"	3 5/8"	4 1/4"	4 1/4"	4 1/2"	4"
3"	3 5/8"	4 1/4"	4 1/4"	4 1/2"	4"
4"	3 5/8"	4 1/4"	4 1/4"	4 1/2"	4"
6"	3 1/2"	-	-	-	-

### FD-100-VD Floor Drain with Round Hinged Solid Cover



Model Number	Weight (lbs.)	Str. Size	Outlet Size	Strainer	List Price
FD-102, 3, 4-VD	15	6"	2,3,4"	nickel bronze	\$868.00

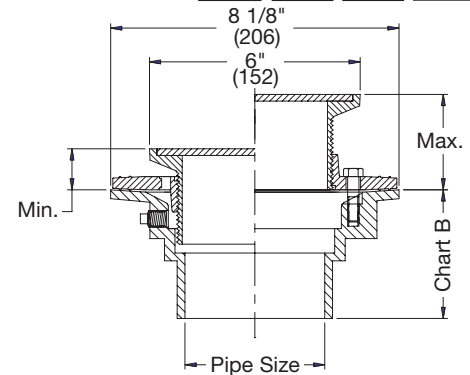


Chart A		
Strainer	Min.	Max.
6"	13/16"	3 1/4"

Chart B					
Pipe Size	No Hub	Push On	Female Thread	Inside Caulk	PVC/ABS
2"	3 5/8"	4 1/4"	4 1/4"	4 1/2"	4"
3"	3 5/8"	4 1/4"	4 1/4"	4 1/2"	4"
4"	3 5/8"	4 1/4"	4 1/4"	4 1/2"	4"
6"	3 1/2"	-	-	-	-

Note: Funnels are ordered separately. See page 63 for details.

#### Options for FD-100 Series:

Suffix	Description	List Price	Suffix	Description	List Price
None	No Hub Outlet	No Add	-13	Galvanized Body	\$195.50
P	Push-On Outlet	No Add	-15	Strainer Extension (DD-50)	141.00
T	Threaded Outlet	\$80.00	-60	PVC Body w/Socket Outlet (2, 3, 4" Only)	No Add
X	Inside Caulk	No Add	-61	ABS Body w/Socket Outlet (2, 3, 4" Only)	No Add
None	6" Outlet No Hub Only	120.00	-F4-50	4" Round Cast Iron Funnel	179.00
-5	Sediment Bucket	108.00	-F4-1	4" Round Nickel Bronze Funnel	428.00
-6	Vandal Proof	54.50	-F6-1	6" Round Nickel Bronze Funnel	625.50
-7	Trap Primer Tapping	No Add	-G-50	4x9" Oval Cast Iron Funnel	423.00
-8	Ball Float Backwater Valve (2,3,4" Only)	377.50	-G-1	4x9" Oval Nickel Bronze Funnel	872.00
			-S0	Side Outlet (2, 3, 4" Only)	218.00